

## INSTALLATION INSTRUCTIONS

DESCRIPTION: Overhead Pod Add-on Kit

PART NUMBER: B4J-H81D0-V0

MODEL: 2021+ Wolverine RMax4 and X4



### ⚠ WARNING

Please read and understand these instructions completely before installation to avoid possible injury, or damage to the accessory or vehicle.

### WARRANTY INFORMATION:

In the United States, see your Yamaha dealer for a copy of the Yamaha Genuine Parts and Accessories Limited Warranty.

### NOTICE:

Installation of this kit requires a torque wrench and should be performed by an authorized Yamaha dealer or a qualified mechanic.

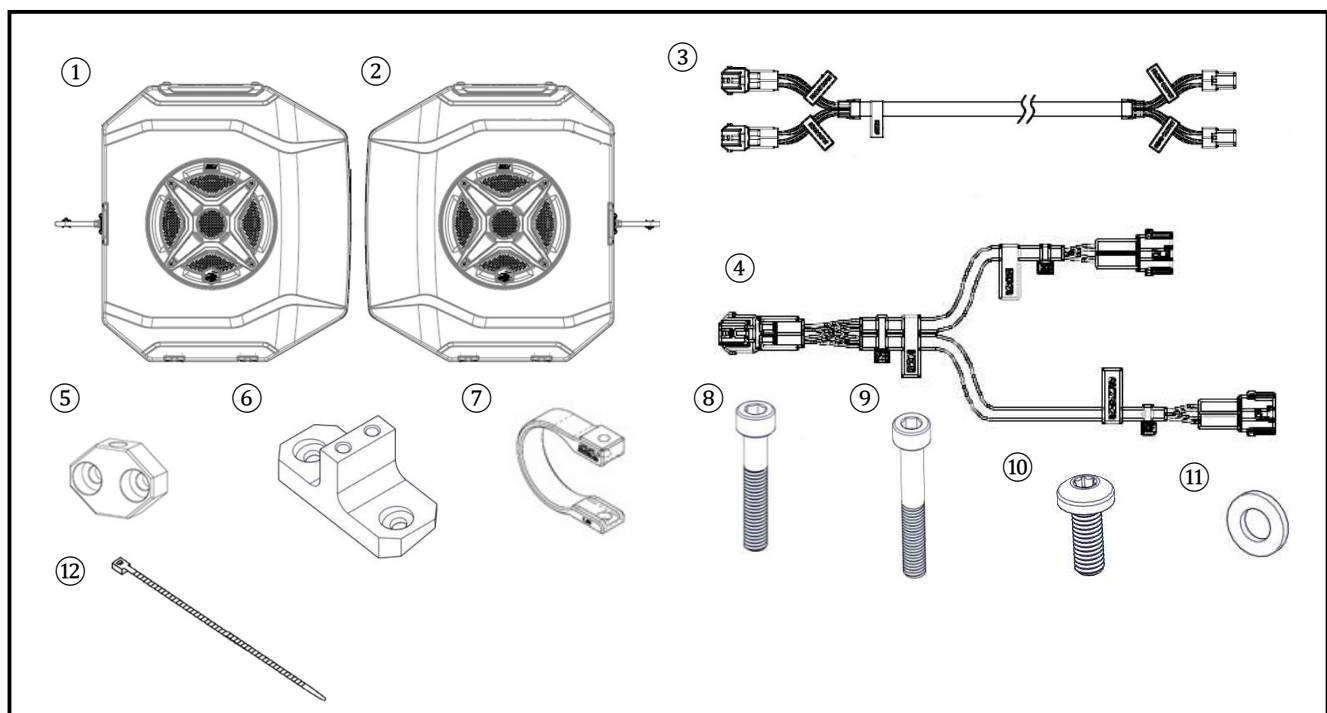
### DEALER OR INSTALLER:

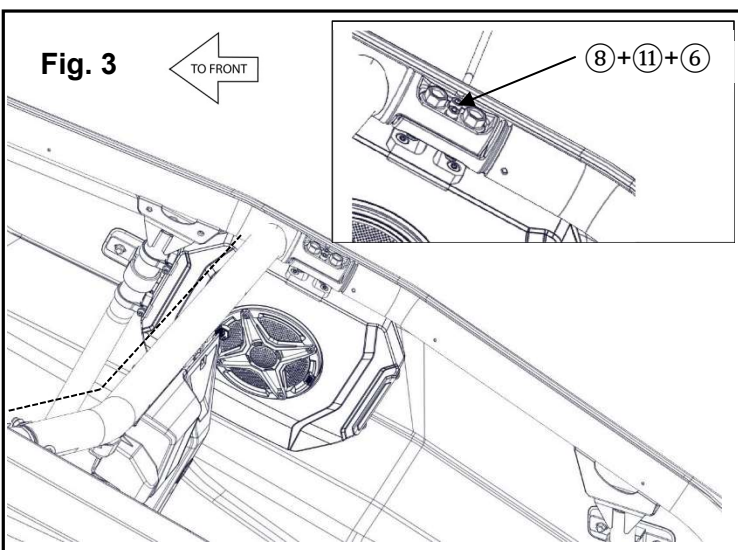
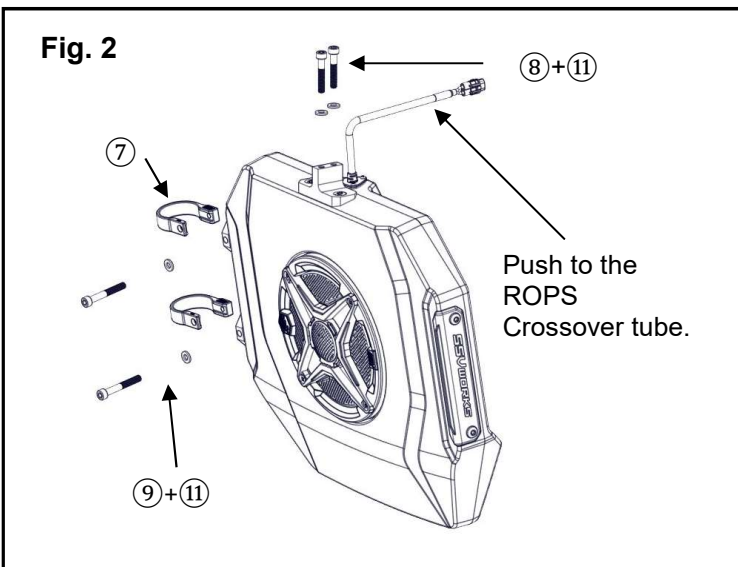
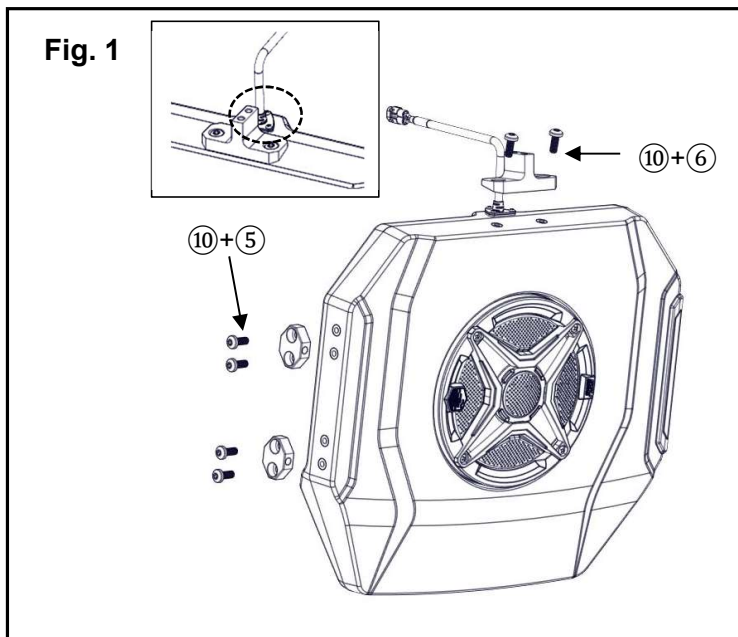
These instructions contain important information for future reference and *must* be given to the customer.

Install the Accessory Front Door Audio Kit B4J-H81C0-S0 first.

### PARTS LIST:

No.	Part Number	Description	Qty
--	<b>B4J-H81D0-V0</b>	Overhead Pod Add-on Kit	--
①	B4J-H81B0-V0	Left Speaker Pod	1
②	B4J-H81B0-T0	Right Speaker Pod	1
③	B4J-H3730-V0	Extension Wire Harness	1
④	BG4-H259M-V0	B Pillar to Speaker Cable	1
⑤	BG4-H191M-V0	Clamp Mount Lug	4
⑥	B4J-H191M-T0	T-Lug	2
⑦	BG4-H8174-V0	Front Speaker Clamp	4
⑧	90110-06017	M6x35 Cap Head Screw	4
⑨	90110-06063	M6x45 Cap Head Screw	4
⑩	90149-06228	M6x16 Torx Bolt	12
⑪	90201-06869	M6 Washer	8
⑫	90464-80X00	Cable Ties	10



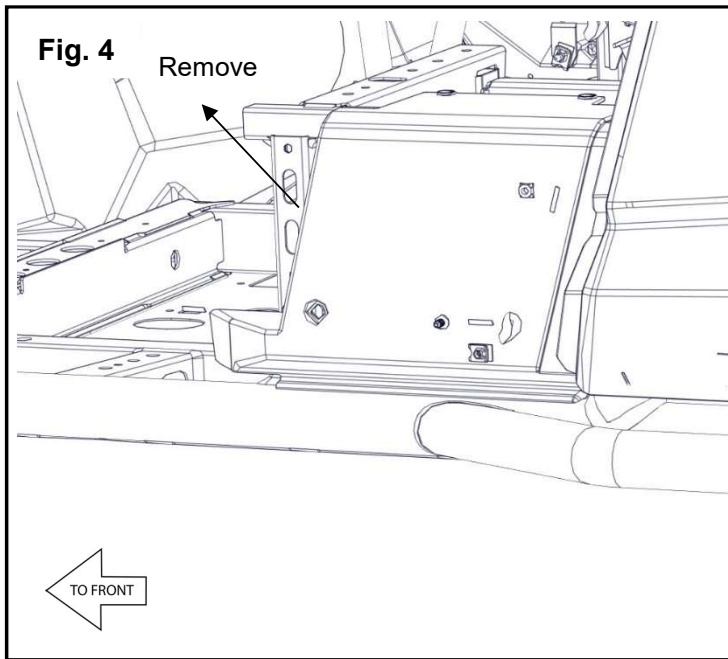


**PREPARATION:**

- Place the vehicle on a secure and level surface.
- Set the parking brake.
- Clean the mounting surfaces before beginning installation.
- Install the B4J-H81E0-S0 Accessory Front Door Audio Kit first.
- Wrap the bag that the four clamps come in around the ROPS tubes, at the four installation points, before installation to prevent scratching.

**INSTALLATION:**

1. Assemble each Speaker Pod with six (10) M6x16 Torx Bolts. Attach the two (5) Clamp Mounting Lugs to the forward section of the Speaker Pod. Then the (6) T-Lug on the side next to the speaker wire connection with the thin side of the slope facing the wire. Torque the (10) M6x16 Torx Bolts to 5Nm (0.5 kg-m or 3.6 lb-ft) (Fig. 1)
2. Insert two (7) Front Speaker Clamps over the ROPS with the threaded portion facing upward. Use the plastic bags to prevent scratching. (Fig. 5)
3. Place two (11) M6 Washers over two (8) M6x35 Cap Head Screws. Install the (1) Left Speaker Pod over the driver's side seat and align the two (5) Clamp Mount Lugs in between the (7) Front Speaker Clamps. Thread in the two (9) M6x45 Cap Head Screws into the two (7) Front Speaker Clamps. Leave loose at this step. (Fig. 2)
4. Route the wire harness to the crossover tube of the ROPS. (Fig. 2)  
Place two (11) M6 Washers two (8) M6x35 Cap Head Screws and thread them into the (6) T-Lug though the ROPS. (Fig. 2)
5. Align the (1) Left Speaker Pod and then Torque the (8) and (9) Cap Head Screws to 8Nm (0.8kg-m or 5.9 lb-ft) (Fig. 3)
6. Follow Steps 2 through 5 to install the (2) Right Speaker Pod over the passenger seat.
7. Connect the (4) B Pillar to Speaker Cable to each of the Speaker Pods and route the wire down the driver side B pillar. Secure the wires with (12) Cable Ties. (Fig. 3)
8. Remove the side panel under the driver's seat and connect (4) B Pillar to Speaker Cable to the Extension Harness located here. (Fig. 4)
9. Reinstall the side panel. (Fig. 4)



**MAINTENANCE:**

Periodically, check torque on all hardware. If loose hardware is found, re-torque to specification.

**CARE AND CLEANING:**

Clean painted metal parts with a clean soft cloth and mild soap and water solution. Rinse and dry.

**CUSTOMER SERVICE:**

For further information see your Yamaha dealer.

**ESTIMATED TIME TO INSTALL: 0.5 HRS.**

